

AMC-1DMBx Series Modular Box

The AMC-1DMBx Modular Box series provides power, isolation, and remote modules complementing the AMC Digital Monitor series.

Incorporating Armstrong's AMC-1DBx Digital Monitor, the 1DMBx can offer huge savings in both installation and operations.

Available analog I/O, repeater, relays, and power can provide expanded functionality to the AMC-1DBx Digital Monitor series resulting in drastic improvements in the efficiency of the garage ventilation system.

The AMC-1DMBx Modular Box series communicates directly with the AMC-1DBx Digital Monitor series using standard Modbus protocol.

SPECIFICATIONS

Enclosure: CSA Approved Steel Enclosure

Supply Voltage: 110 VAC or 24VDC

Relay Contacts: Up to 8 x DPDT 10A 120VAC
Resistive
Up to 255 w/ AMC-1DBx systems

Dimensions: 12" x 12" x 6"

Weight: 7.18 kg (15.8 lbs)

Operating Temperature: 0°C to 40°C

Operating Humidity: 0-90% RH Non-Condensing

Sensor Types: 8 Ch. Analog 0-20mA inputs

Sensor Capacity: Supports up to 8 Sensor inputs
RS-485 supporting MODBUS RTU
Interfaces to AMC-1DBx systems

Outputs: 8 Ch. Analog 0-20mA outputs
RS-485 supporting MODBUS RTU
Interfaces to AMC-1DBx systems

Display: LED indicators for power and Tx/Rx communication



FEATURES

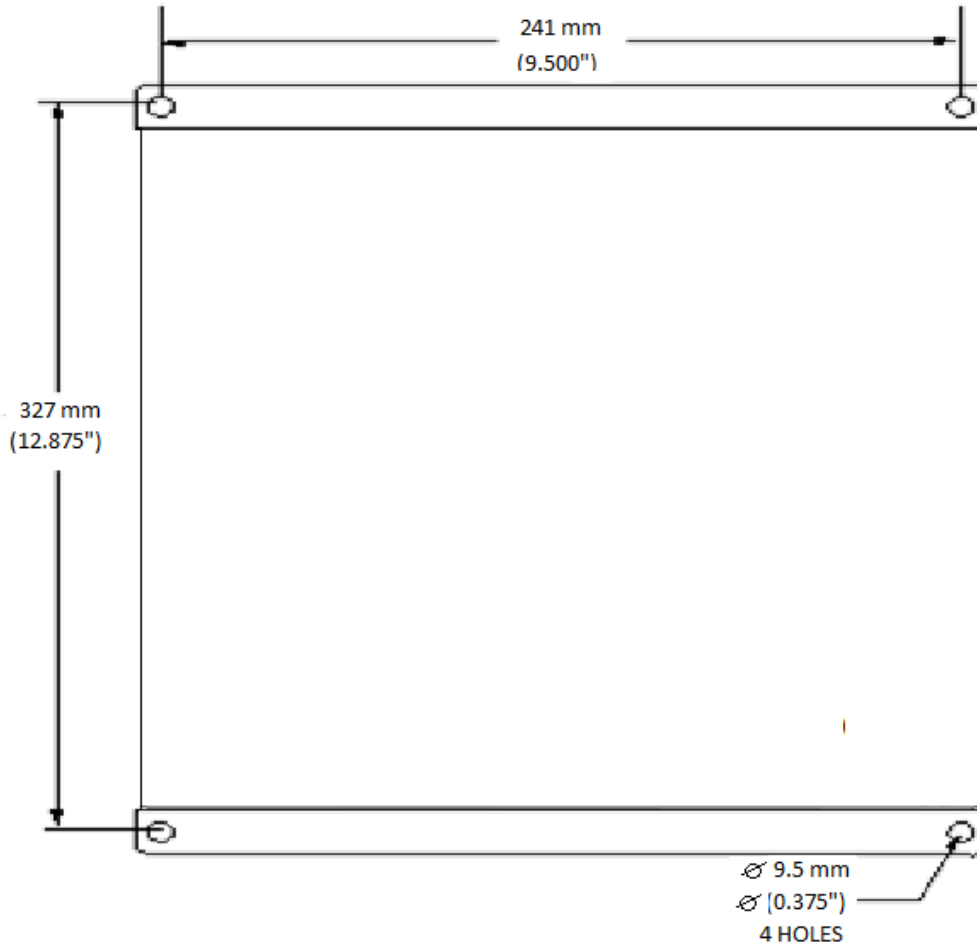
- Standard MODBUS outputs can interface with AMC-1DBx systems
- Rugged Steel Enclosure
- RoHS Compliant

OPTIONS

- Integral Power Supply
- Digital Isolated Communication
- Analog Outputs provide 4-20 mA signals, which can be tied back to variable drives and fan motors for significant energy savings over traditional "all or nothing" ventilation strategies
- Analog Input Modules can provide additional 8Ch. 4-20mA sensor inputs
- Relay Modules add external remote relay activation



AMC-1DMBx Series External View



AMC-1DMBx Series Order Codes

Part Number	Description	Part Number	Description
AMC-1DMB –AI	Analog In, 8ch, 0-20mA, 24VDC, RS-485	AMC-1DMB –RL	Relay module, 8ch, DPDT, 24VDC, RS-485
AMC-1DMB –PS-R	power supply, 24VDC, 7A output, 4 port isolated repeater, RS-485	AMC-1DMB –RL-AO	8 relays, w analog out, 8ch, 0-20mA, 24VDC, RS-485



AMC-1DMB-AI Modular Box

The AMC-1DMB-AI Modular Box provides remote 0-20mA Analog Inputs complimenting the AMC Digital Monitor series.

Incorporating Armstrong's AMC-1DBx Digital Monitor, the 1DMBx can offer huge savings in both installation and operations.

Available Analog Inputs can provide expanded functionality to the AMC-1DBx Digital Monitor series resulting in drastic improvements in the efficiency of the garage ventilation system.

The AMC-1DMBx Modular Box series communicates directly with the AMC-1DBx Digital Monitor series using standard Modbus protocol.

SPECIFICATIONS

Enclosure: CSA Approved Steel Enclosure

Supply Voltage: 24VDC

Dimensions: 12" x 12" x 6"

Weight: 7.18 kg (15.8 lbs)

Operating Temperature: -10°C to 40°C

Operating Humidity: 0-90% RH Non-Condensing

Sensor Types: 8 Ch. Analog 0-20mA inputs

Sensor Capacity: Supports up to 8 Sensor inputs
RS-485 supporting MODBUS RTU
Interfaces to AMC-1DBx systems

Display: LED indicators for power and Tx/Rx communication

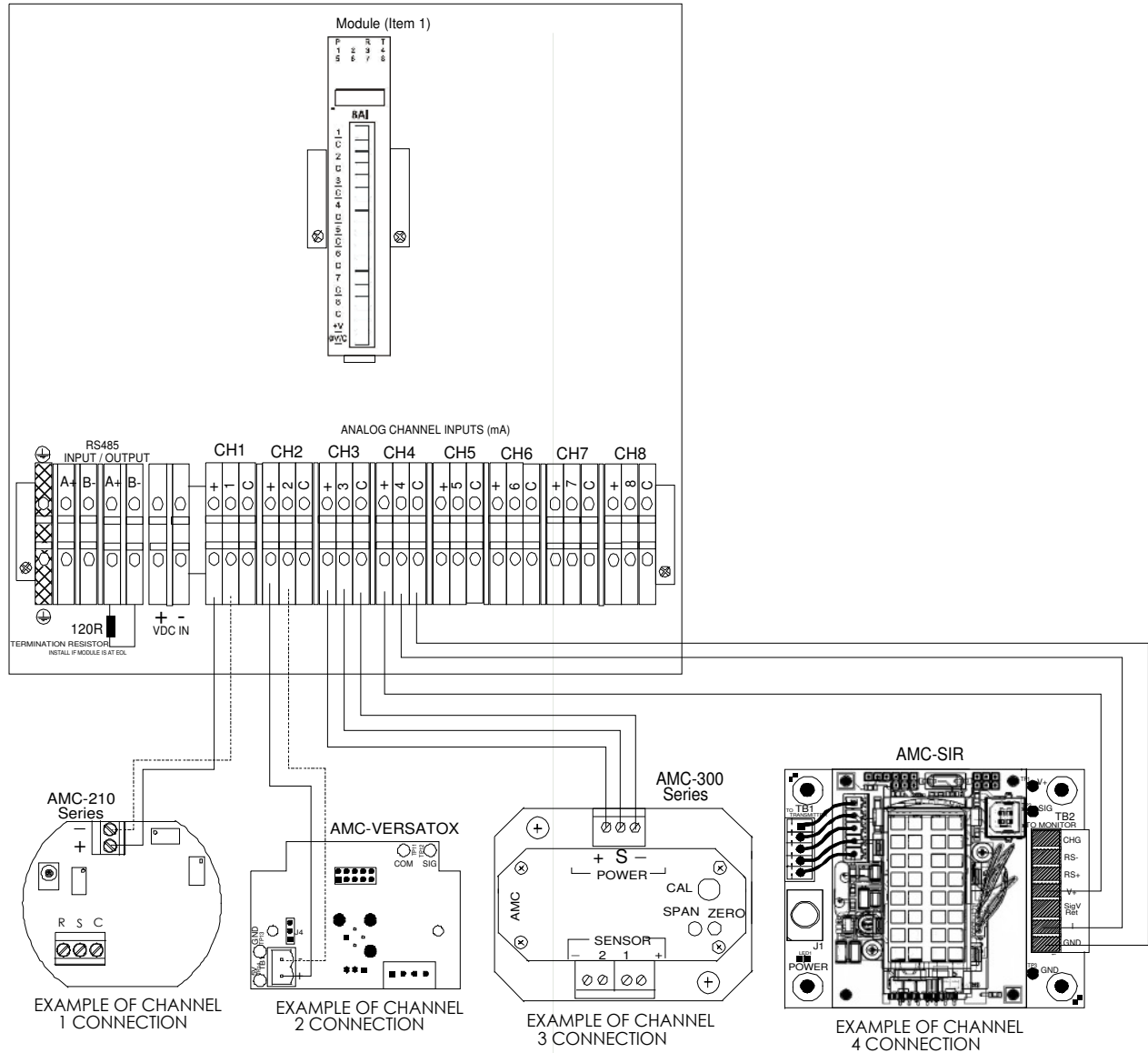


FEATURES

- Rugged Steel Enclosure
- Analog Input Modules can provide additional 4-20mA sensor inputs
- Standard MODBUS outputs can interface with AMC-1DBx systems
- RoHS Compliant



AMC-1DMB-AI External Wiring



AMC-1DMBx Series Order Codes

Part Number	Description
AMC-1DMB -AI	Analog In, 8ch, 0-20mA, 24VDC, RS-485



AMC-1DMB-PS-R Modular Box

The AMC-1DMB-PS-R Modular Box provides power, and isolation to remote modules complementing the AMC Digital Monitor series.

Available repeater and power can provide expanded functionality to the AMC-1DBx Digital Monitor series resulting in drastic improvements in the efficiency of the garage ventilation system.

Incorporating Armstrong's AMC-1DBx Digital Monitor, the 1DMBx can offer huge savings in both installation and operations.

The AMC-1DMB-PS-R Modular Box communicates directly with the AMC-1DBx Digital Monitor series using standard Modbus protocol.

SPECIFICATIONS

Enclosure: CSA Approved Steel Enclosure

Supply Voltage: 110 VAC

Dimensions: 12" x 12" x 6"

Weight: 7.18 kg (15.8 lbs)

Operating Temperature: 0°C to 40°C

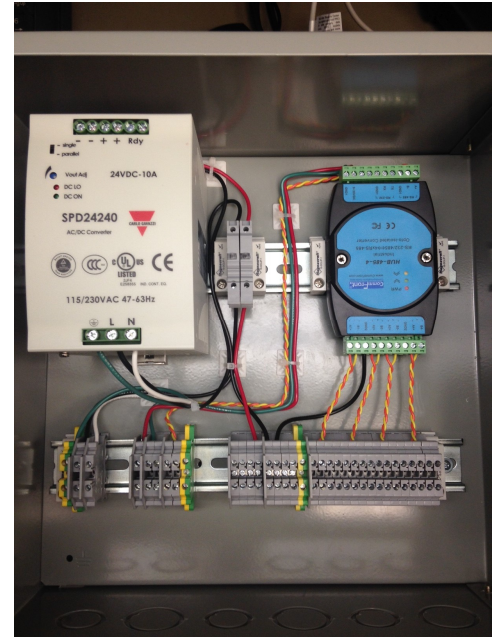
Operating Humidity: 0-90% RH Non-Condensing

Outputs: repeater-isolator

RS-485 supporting MODBUS RTU

Interfaces to AMC-1DBx systems

Display: LED indicators for power and Tx/Rx communication



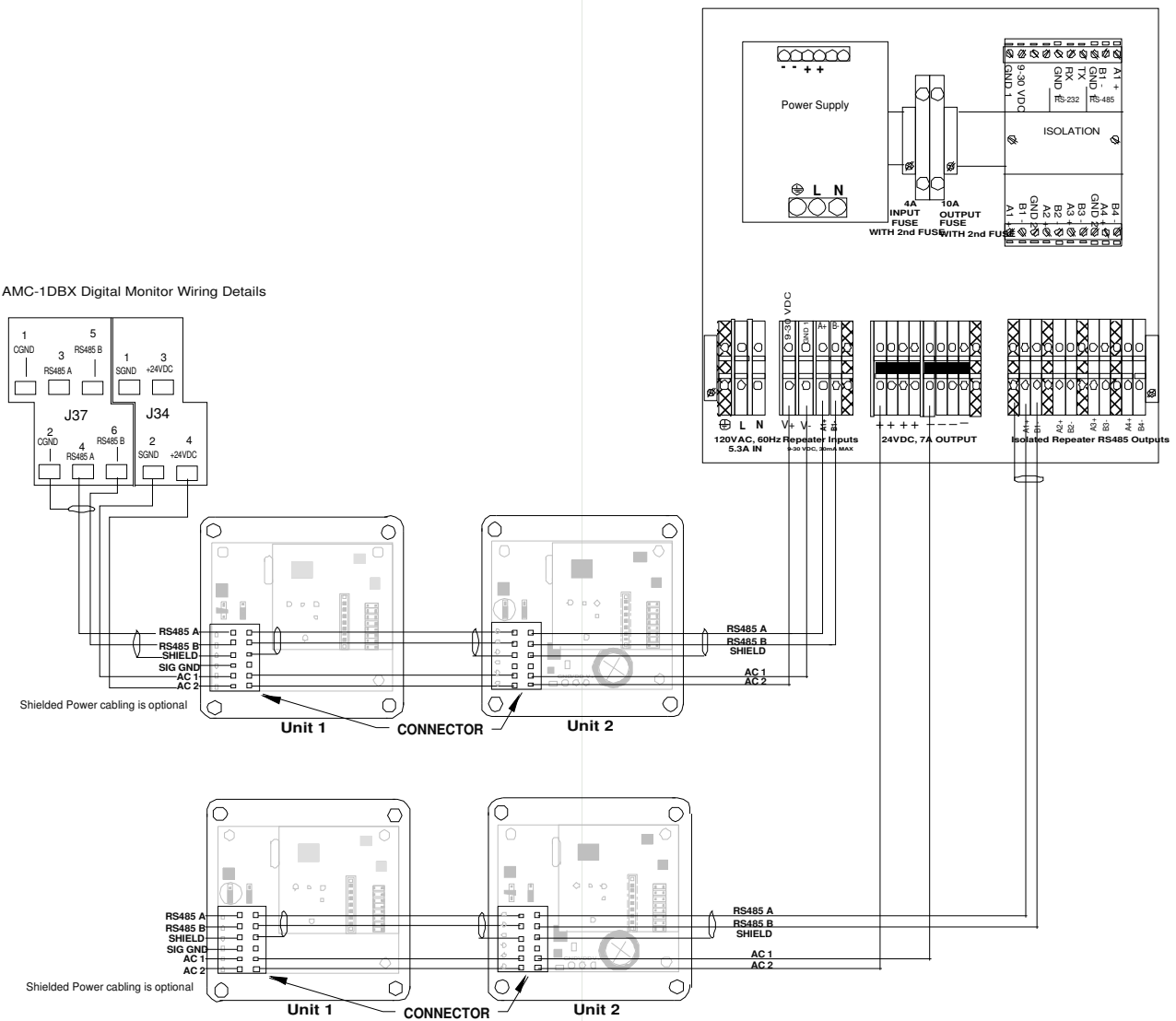
FEATURES

- Integral Power Supply
- Digital Isolated Communication
- RS-485 repeater
- Standard MODBUS outputs can interface with AMC-1DBx systems
- Rugged Steel Enclosure
- RoHS Compliant



AMC-1DMB-PS-R External Wiring

1. See AMC-1DBX Digital Monitor Wiring Details



AMC-1DMBx Series Order Codes

Part Number	Description
AMC-1DMB-PS-R	power supply, 24VDC, 7A output, 4 port isolated repeater, RS-485



AMC-1DMB-RL Modular Box

The AMC-1DMB-RL Modular Box provides remote relays complementing the AMC Digital Monitor series.

Incorporating Armstrong's AMC-1DBx Digital Monitor, the 1DMBx can offer huge savings in both installation and operations.

Available relays can provide expanded functionality to the AMC-1DBx Digital Monitor series resulting in drastic improvements in the efficiency of the garage ventilation system.

The AMC-1DMBx Modular Box series communicates directly with the AMC-1DBx Digital Monitor series using standard Modbus protocol.

SPECIFICATIONS

Enclosure: CSA Approved Steel Enclosure

Supply Voltage: 24VDC

Relay Contacts: DPDT 10A 120VAC Resistive
Up to 255 w/ AMC-1DBx systems

Dimensions: 12" x 12" x 6"

Weight: 7.18 kg (15.8 lbs)

Operating Temperature: -10°C to 40°C

Operating Humidity: 0-90% RH Non-Condensing

Outputs: 8 Ch. DPDT 10A Relay outputs

RS-485 supporting MODBUS RTU

Interfaces to AMC-1DBx systems

Display: LED indicators for power and Tx/Rx communication

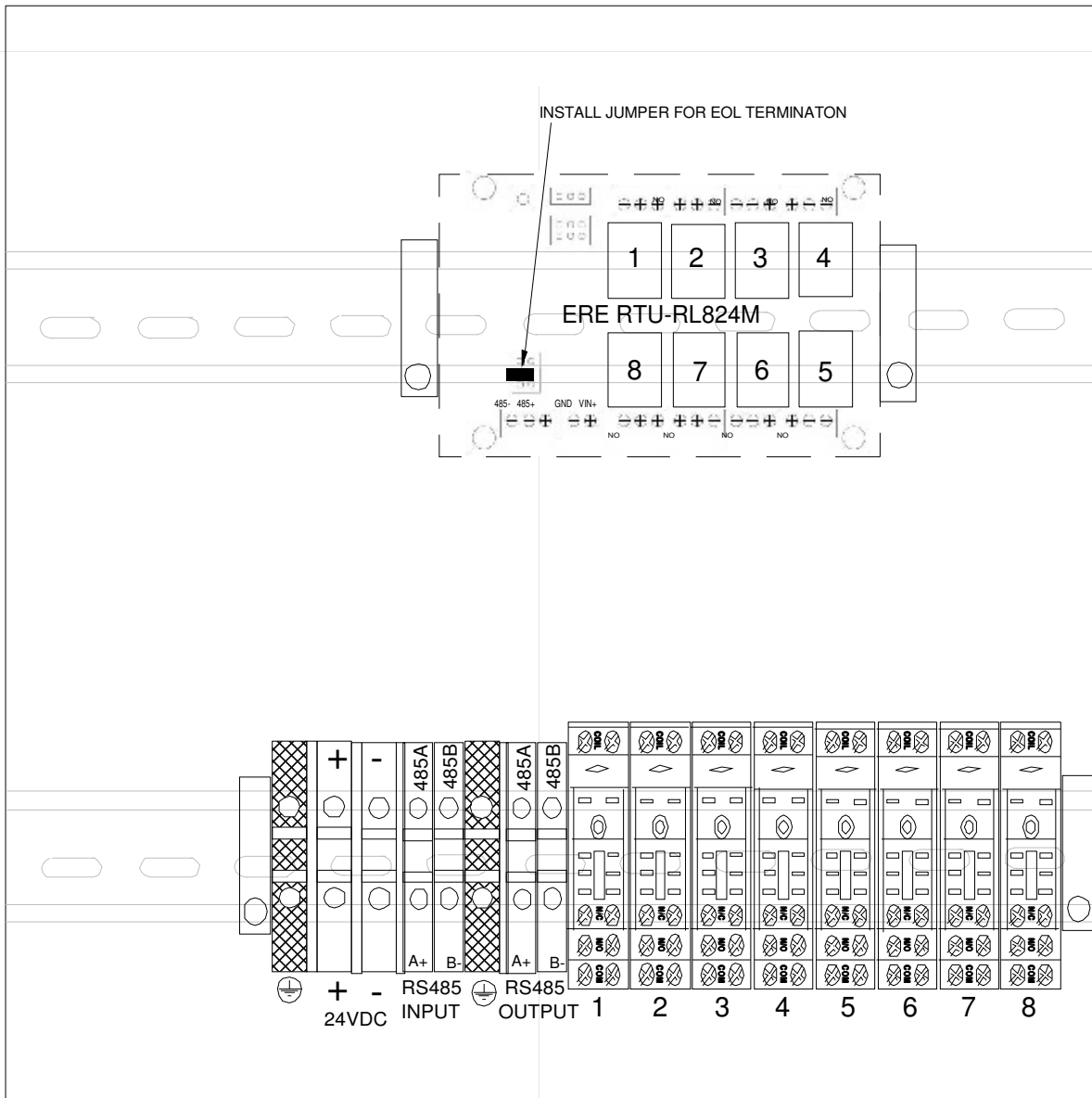


FEATURES

- Rugged Steel Enclosure
- Relay Modules add external remote relay activation
- Standard MODBUS outputs can interface with AMC-1DBx systems
- RoHS Compliant



AMC-1DMB-RL Internal View



AMC-1DMBx Series Order Codes

Part Number	Description
AMC-1DMB -RL	Relay module, 8ch, DPDT, 24VDC, RS-485



AMC-1DMB-RL-AO

Modular Box

The AMC-1DMB-RL-AO Modular Box provides remote relays and analog outs complementing the AMC Digital Monitor series.

Incorporating Armstrong's AMC-1DBx Digital Monitor, the 1DMBx can offer huge savings in both installation and operations.

Available analog outputs and relays can provide expanded functionality to the AMC-1DBx Digital Monitor series resulting in drastic improvements in the efficiency of the garage ventilation system.

The AMC-1DMBx Modular Box series communicates directly with the AMC-1DBx Digital Monitor series using standard Modbus protocol.

SPECIFICATIONS

Enclosure: CSA Approved Steel Enclosure

Supply Voltage: 24VDC

Relay Contacts: Up to 8 x DPDT 10A 120VAC
Resistive
Up to 255 w/ AMC-1DBx systems

Dimensions: 12" x 12" x 6"

Weight: 7.18 kg (15.8 lbs)

Operating Temperature: -10°C to 40°C

Operating Humidity: 0-90% RH Non-Condensing

Outputs: 8 Ch. Analog 0-20mA outputs
RS-485 supporting MODBUS RTU
Interfaces to AMC-1DBx systems

Display: LED indicators for power and Tx/Rx communication

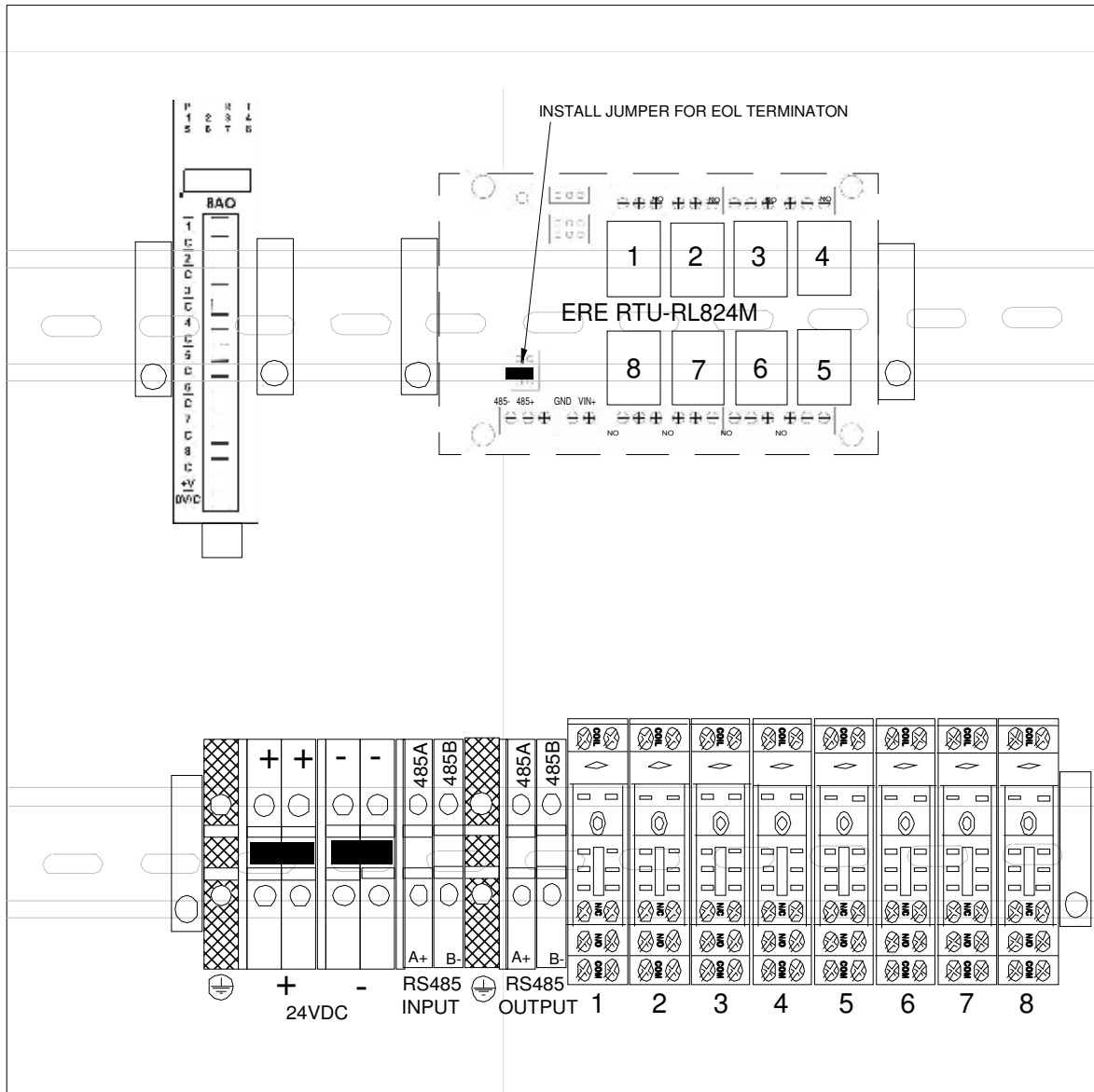


FEATURES

- Rugged Steel Enclosure
- Relay Modules add external remote relay activation
- Analog Outputs provide 4-20 mA signals, which can be tied back to variable drives and fan motors for significant energy savings over traditional "all or nothing" ventilation strategies
- Standard MODBUS outputs can interface with AMC-1DBx systems
- RoHS Compliant



AMC-1DMB-RL-AO Internal View



AMC-1DMBx Series Order Codes

Part Number	Description
AMC-1DMB-RL-AO	8 relays, w analog out, 8ch, 0-20mA, 24VDC, RS-485

