

AMC-1DCX Digital Gas Monitor

The new AMC Digital Gas Monitor provides a highly configurable monitoring package for a multitude of applications. Incorporating Computer-on-Module based design, it provides accuracy, durability, and ease of use within a compact package. Designed to even the largest applications, the AMC-1DCx can support in excess of 988 sensors

The Monitor will work with the full range of AMC Transmitters.

SPECIFICATIONS

User Interface

Display: 7" HDMI Touchscreen Display

Inputs/Outputs

Digital Inputs: 4 Channels of Modbus RTU

Digital Outputs: 1 Port BACnet IP

Supply Voltage: 24VDC, 6A

Relay Contacts: 8, 12 or 16 DPDT 6A @ 250 VAC Resistive.
Up to 255 with external relay modules.

Analog Inputs: 8 Channels (4-20 mA/0-10 VDC), expandable with the use of external devices.

Analog Outputs: 8 Channels (4-20 mA/0-10 VDC), expandable with the use of external devices.

Mechanical

Enclosure: UV Stabilized Polycarbonate

Flammability Rating: UL94V-0

IP Rating: IPx5

Dimensions: 14.375" W x 16.375" H (365mm x 416mm) X 6.75" D (171mm)

Operating Temperature: -4°F to 104°F (-20°C to 40°C)

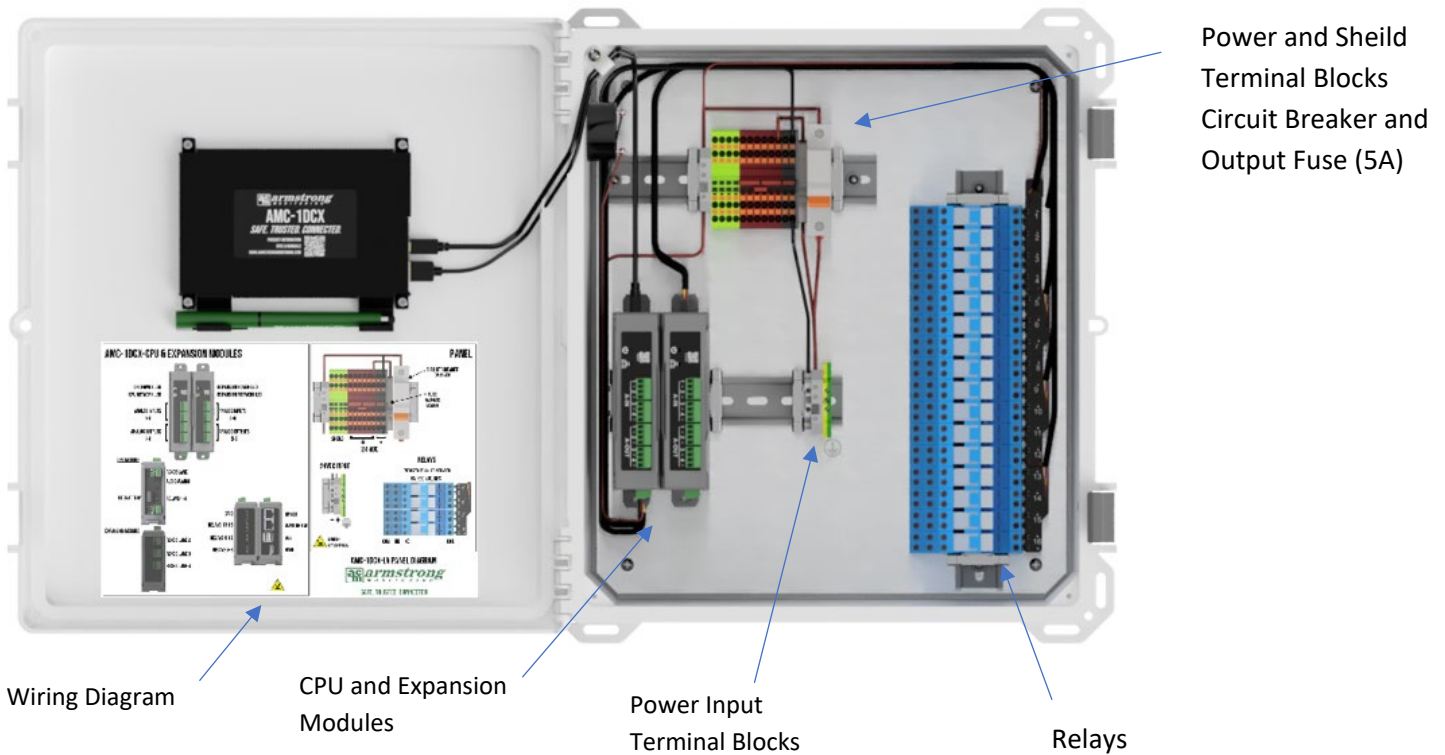
Approvals:



FEATURES

- Alarms disabled during warm up
- System test option in Menu
- User selectable:
 - Activation Delays
 - Minimum Run Timer
 - Relay zones
- Audio Alarm – 90 dB @ 24 inches (600mm)
- Lockable enclosure with hinged door
- Can be configured to meet Title 24 requirements

AMC-1DCX Internal View



AMC-1DCX Order Codes

Part Number	Description
AMC-1DCX-8-LV	Digital Gas Monitor, 8 Relays, 24VDC
AMC-1DCX-12-LV	Digital Gas Monitor, 12 Relays, 24VDC
AMC-1DCX-16-LV	Digital Gas Monitor, 16 Relays, 24VDC