

## AMC-1B Series Single/Dual Channel Gas Monitor

The AMC-1B Series Gas Monitor provides a highly configurable monitoring package for a multitude of applications. Incorporating micro-controller based design, it provides accuracy, durability, and ease of use within a compact package.

The versatile monitor supports up to 2 on board AMC-SM Sensor Modules that are easily changed and are eligible for the EZ Cal™ service program. In addition the monitor supports up to 2 external input channels that can be configured to work with all analog AMC sensors and sensor/transmitters.

### SPECIFICATIONS

#### User Interface

**Keypad:** 3 Button

**Indicators:** OLED Display (8 lines x 20 characters)  
LEDs for Sensor, Operation, Fault

#### Electrical

**Supply Voltage:** 120VAC 60 Hz+ or 24VDC, 2A

**Relay Contacts:** 2 or 4 DPDT 10A @ 250 VAC Res.

#### Mechanical

**Enclosure:** UV Stabilized Polycarbonate

Flammability Rating: UL94V-0

**IP Rating:** IPx5 with optional AMC-1B-SG Splashguard

**Dimensions:** 11.750" L x 9.980" W (298.45mm x  
253.49mm) X 5.460" (138.68mm)

**Operating Temperature:** -20°C to 40°C  
-4°F to 104°F

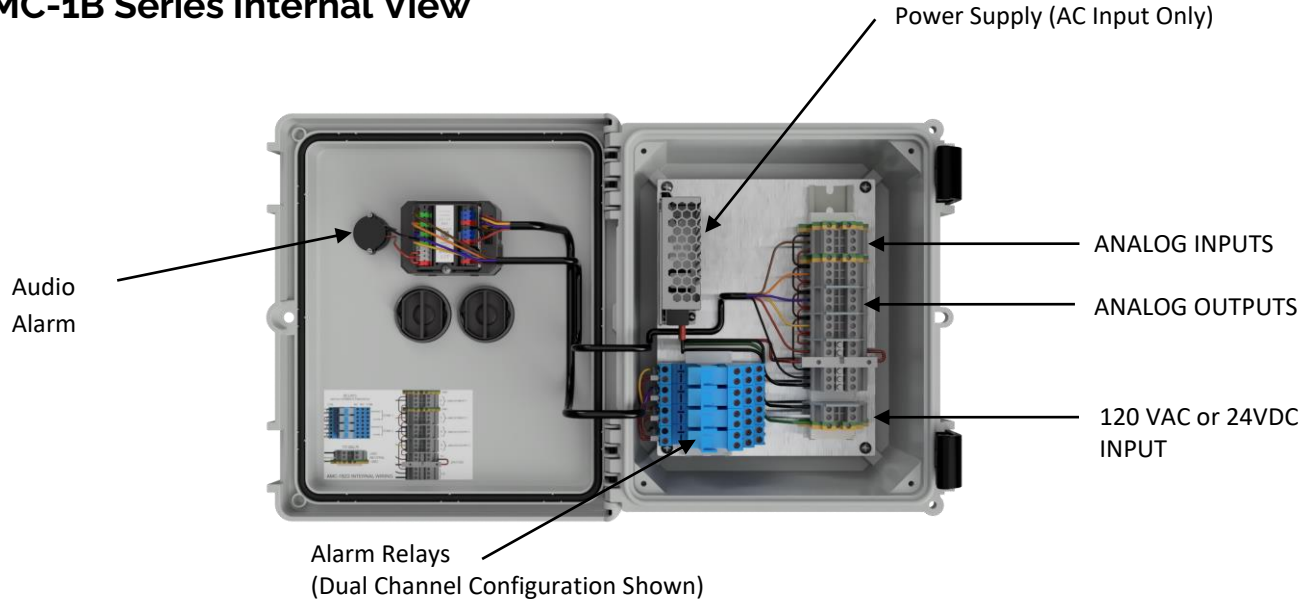
#### Approvals:



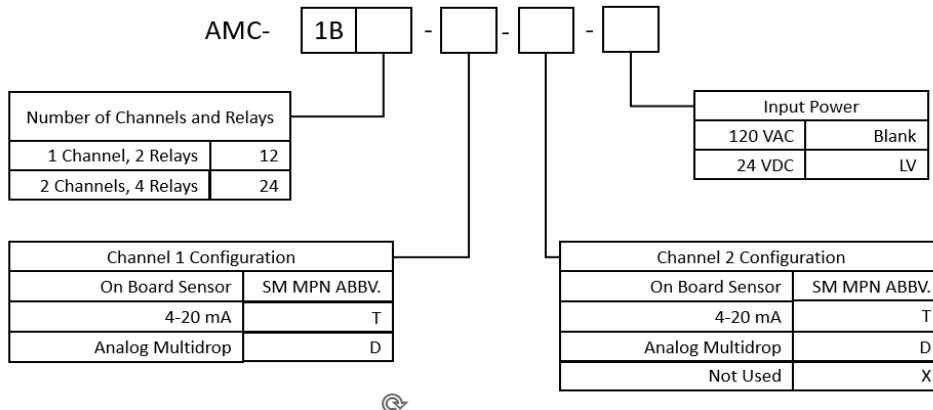
### FEATURES

- Alarms disabled during warm up
- System test option in Menu
- User selectable:
  - Activation Delays (5 mins)
  - Minimum Run Timer
- 95 dBa Audio Alarm
- Lockable enclosure with hinged door
- Analog (4-20 mA/0-10 VDC) Output

## AMC-1B Series Internal View



## AMC-1B Series Build Code



SM MPN Options		
MPN	SM MPN ABBV.	Description
AMC-SM-70A01	70A01	Sensor Module, O2 0-25% Vol.
AMC-SM-91A01	91A01	Sensor Module, CO 0-100ppm
AMC-SM-91B01	91B01	Sensor Module, CO 0-300ppm
AMC-SM-98A01	98A01	Sensor Module, NO2 0-10ppm
AMC-SM-VCA01	VCA01	Dual Sensor Module, CO 0-100ppm, NO2 0- 10ppm
AMC-SM-VCB01	VCB01	Dual Sensor Module, CO 0-300ppm, NO2 0- 10ppm

Warranty: All Armstrong Monitoring equipment is warranted against defects in materials and workmanship for two years from date of delivery, with the exception of sensors. Please contact factory for specific sensor warranty. During the warranty period, we will repair or replace components that prove, in our opinion, to be defective. We are not liable for auxiliary interfaced equipment, nor consequential damage. All warranty returns require a return authorization number. For more information please refer to our Terms & Conditions. Note: Due to ongoing product development, the manufacturer reserves the right to change specifications without prior notice. The information contained herein is based on data considered accurate. However, no warranty is expressed or implied regarding the accuracy of this data. A variety of factors, not limited to variances in temperature, humidity, pressure, vibrations, EMI/RF may impact on the performance of the equipment. Testing within harsh or unusual environments is recommended. Please contact the factory for assistance with field validation trials. Published sensor data was obtained using a raw sensor in controlled conditions; actual performance may vary due to site conditions.